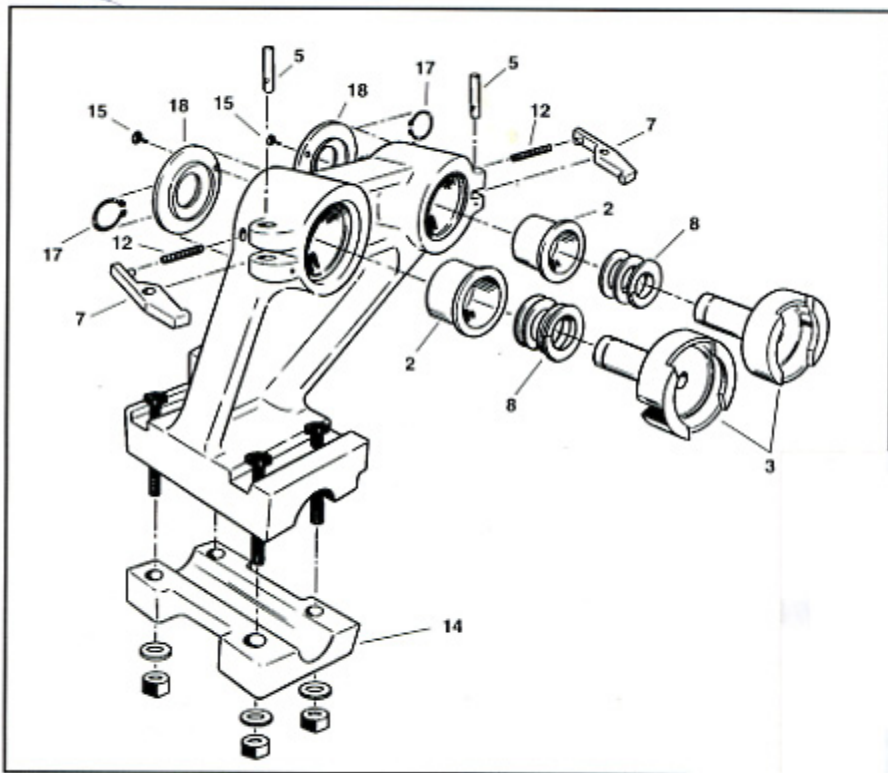


Note: Please specify size of machine



Parts List

Part No.	Qty.	Description
3	2	Blow Head Cup
2	2	Bushing
7	2	Blow Head Lock
5	2	Blow Head Lock Pin
12	2	Blow Head Lock Spring
8	2	Equalizer Spring
18	2	Cup Stop Plate
17	2	Snap Ring
14	1	Cap
15	2	Stop Plate Screws

**Order arm and parts from Wenz catalog
by parts numbers.**